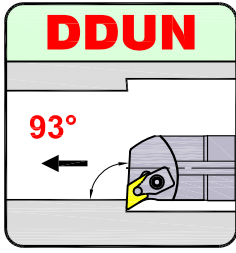


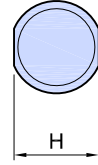
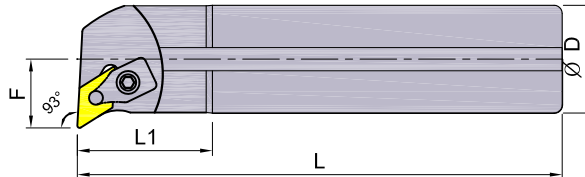
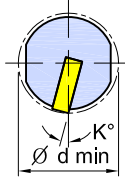


三井

内径車刀 Boring Bars



S.-DDUNR/L-15 鋼柄 Steel shank



Right-hand shown

Ordering code	Dimensions,mm							Insert	Shim	Screw	Clamp	Wrench
	D	L	L1	F	H	K	d _{min}					
S32S-DDUNR-15	32	250	50	20	30	13	38	DN..1504..	DMS432	MS6013F	MCD425	PL40
S40S-DDUNR-15	40	250	50	25.5	37	10	48		DMS442			
S32S-DDUNR-1506	32	250	50	20	30	13	38	DN..1506..	DPS422	MS6010G		
S40S-DDUNR-1506	40	250	50	25.5	37	10	48		DMS432			

Ordering code	GRADE 材質								Insert Shape	Dimensions,mm				
	UE6020	US735	UC5105	VP15TF	NX2525	HT110	UT105T	H01		CD10	A	s	d	r
DNMG150404MS				○							12.7	4.76	5.16	0.4
DNMG150408MA														0.8
DNMG150604MS											12.7	6.35	5.16	0.4
DNMG150608MA														0.8



外徑車刀 Toolholders

內徑車刀

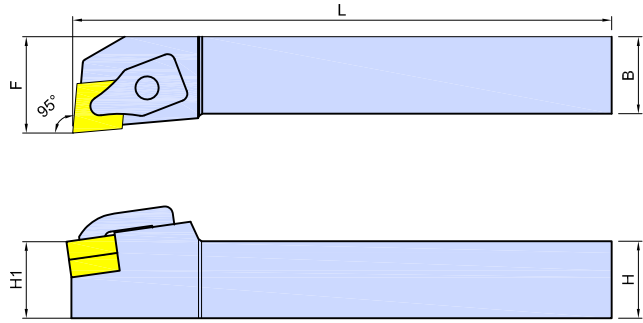
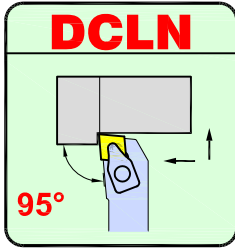
外徑車刀

牙刀 & 開槽刀

銑刀

搪孔刀

配件



Ordering code	Dimensions ,mm					Insert	Shim	Screw	Clamp	Wrench
	H	B	L	H1	F					
DCLNR/L-1616K-12	16	16	125	16	20	CN..1204..	CMS432	MS6013F	MCD425	PL40
DCLNR/L-2020K-12	20	20	125	20	25					
DCLNR/L-2525M-12	25	25	150	25	32					
DCLNR/L-3232P-12	32	32	170	32	40					

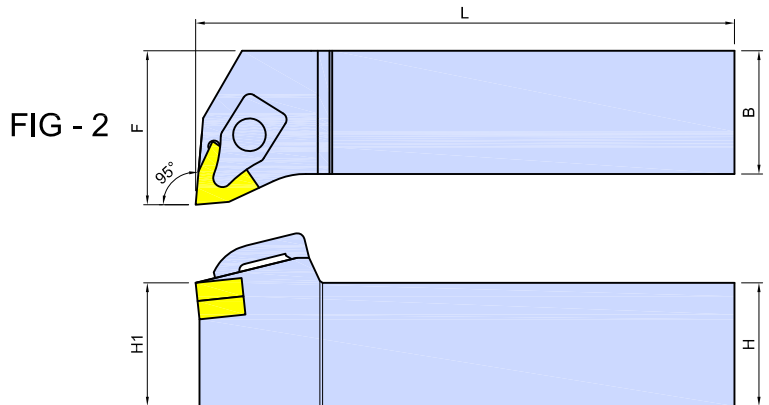
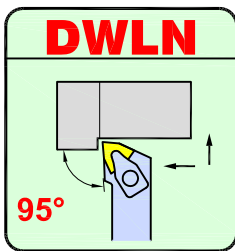
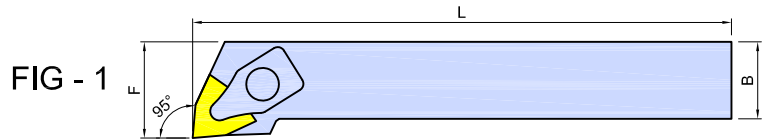


FIG - 1 Ordering code	Dimensions ,mm					Insert	Shim	Screw	Clamp	Wrench
	H	B	L	H1	F					
DWLN/L-2020K-08N	20	20	125	20	25	WN..0804	WMS432	MS6013F	MCD425	PL40
FIG - 2										
DWLN/L-2525M-08	25	25	150	25	32					
DWLN/L-3232P-08	32	32	170	32	40					



外徑車刀 Toolholders

內徑車刀

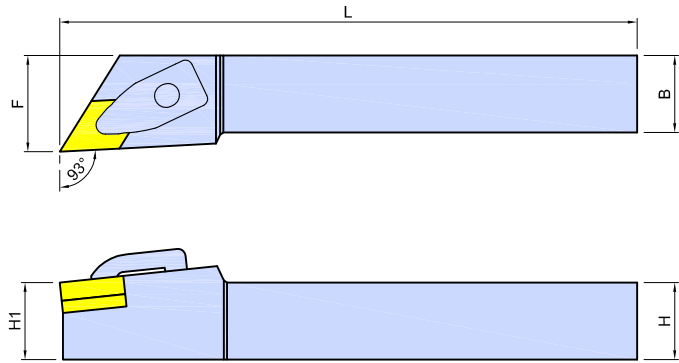
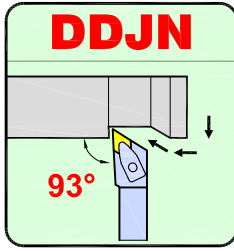
外徑車刀

牙刀 & 開槽刀

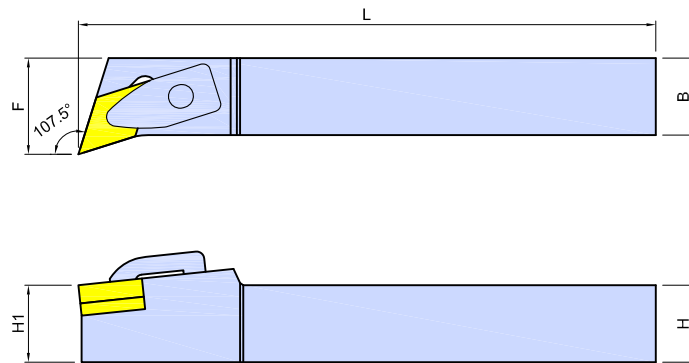
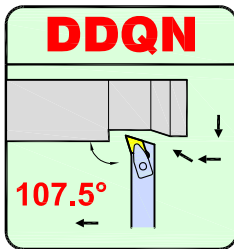
銑刀

搪孔刀

配件



Ordering code	Dimensions ,mm					Insert	Shim	Screw	Clamp	Wrench
	H	B	L	H1	F					
DDJNR/L-2020K-15	20	20	125	20	25	DN..1504..	DMS442	MS6013F	MCD430	TF20
DDJNR/L-2525M-15	25	25	150	25	32					
DDJNR/L-3232P-15	32	32	170	32	40					
DDJNR/L-2020K-1506	20	20	125	20	25	DN..1506..	DMS432	MS6013F	MCD430	TF20
DDJNR/L-2525M-1506	25	25	150	25	32					
DDJNR/L-3232P-1506	32	32	170	32	40					



Ordering code	Dimensions ,mm					Insert	Shim	Screw	Clamp	Wrench
	H	B	L	H1	F					
DDQNR/L-2020K-15	20	20	125	20	25	DN..1504..	DMS442	MS6013F	MCD430	TF20
DDQNR/L-2525M-15	25	25	150	25	32					
DDQNR/L-3232P-15	32	32	170	32	40					
DDQNR/L-2020K-1506	20	20	125	20	25	DN..1506..	DMS432	MS6013F	MCD430	TF20
DDQNR/L-2525M-1506	25	25	150	25	32					
DDQNR/L-3232P-1506	32	32	170	32	40					



外徑車刀 Toolholders

內徑車刀

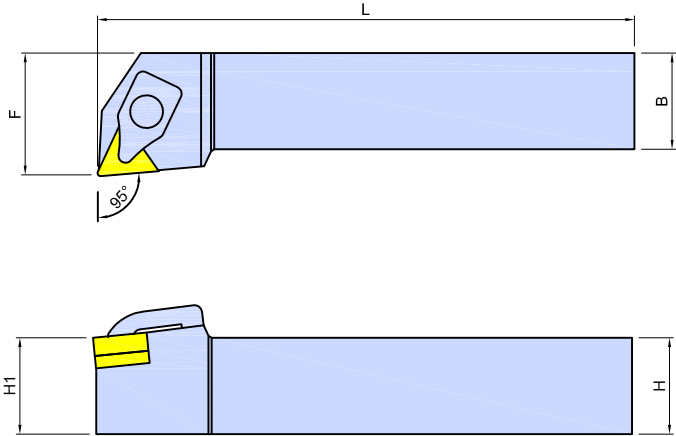
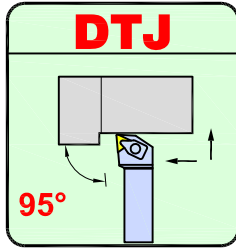
外徑車刀

牙刀 & 開槽刀

銑刀

搪孔刀

配件



Ordering code	Dimensions ,mm					Insert	Shim 	Screw 	Clamp 	Wrench
	H	B	L	H1	F					
DTJNR/L-2020K-16	20	20	125	20	25	TN..1604..	TWS322	MS4008H	MCD324	PL40
DTJNR/L-2525M-16	25	25	150	25	32					
DTJNR/L-3232P-16	32	32	170	32	40					



外徑車刀 Toolholders

內徑車刀

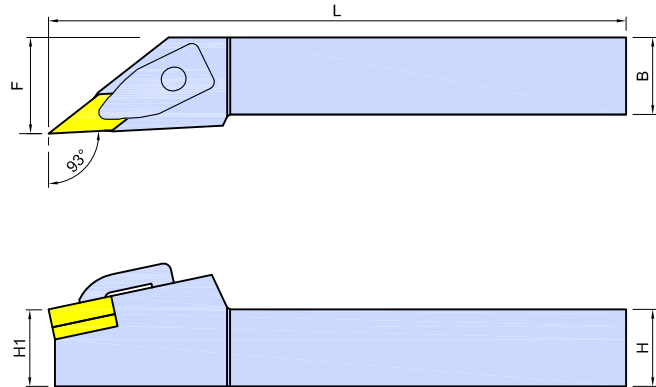
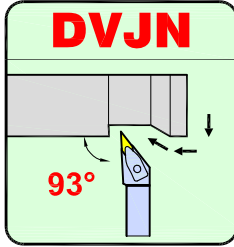
外徑車刀

牙刀 & 開槽刀

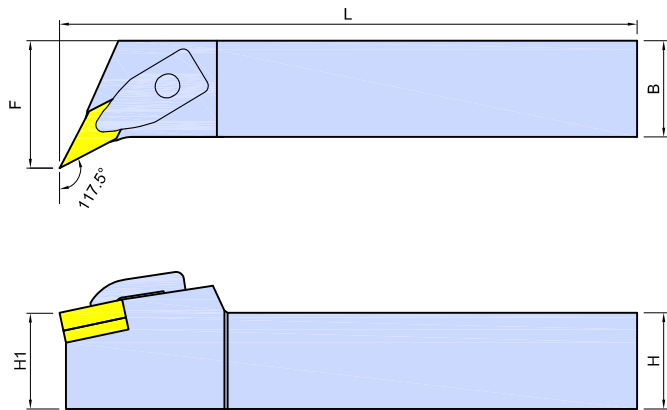
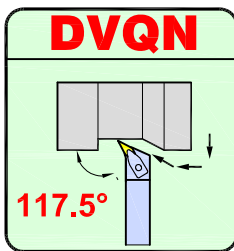
銑刀

搪孔刀

配件



Ordering code	Dimensions ,mm					Insert	Shim	Screw	Clamp	Wrench
	H	B	L	H1	F					
DVJNR/L-2020K-16	20	20	125	20	25	VN..1604..	VSS322	MDS50H65T	MCD331	TF 20
DVJNR/L-2525M-16	25	25	150	25	32					
DVJNR/L-3232P-16	32	32	170	32	40					



Ordering code	Dimensions ,mm					Insert	Shim	Screw	Clamp	Wrench
	H	B	L	H1	F					
DVQNR/L-2020K-16	20	20	125	20	25	VN..1604..	VSS322	MDS50H65T	MCD331	TF 20
DVQNR/L-2525M-16	25	25	150	25	32					
DVQNR/L-3232P-16	32	32	170	32	40					



外徑車刀 Toolholders

內徑車刀

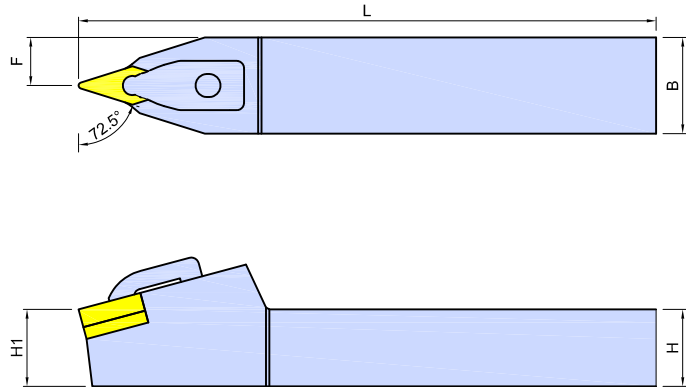
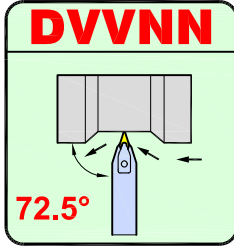
外徑車刀

牙刀 & 開槽刀

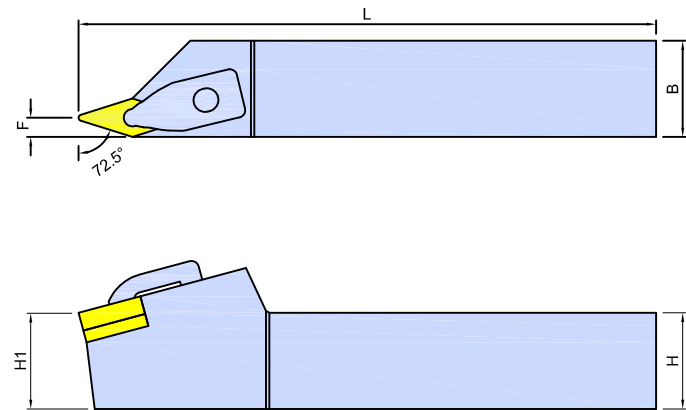
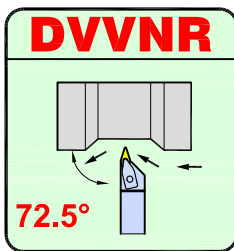
銑刀

搪孔刀

配件



Ordering code	Dimensions ,mm					Insert	Shim	Screw	Clamp	Wrench
	H	B	L	H1	F					
DVVNN-1616K-16	16	16	125	16	8	VN..1604..	VSS322	MDS50H65T	MCD331	TF 20
DVVNN-2020K-16	20	20	125	20	10					
DVVNN-2525M-16	25	25	150	25	12.5					
DVVNN-3232P-16	32	32	170	32	16					



Ordering code	Dimensions ,mm					Insert	Shim	Screw	Clamp	Wrench
	H	B	L	H1	F					
DVVNR-2020K-16	20	20	125	20	5	VN..1604..	VSS322	MDS50H65T	MCD331	TF 20
DVVNR-2525M-16	25	25	150	25	5					
DVVNR-3232P-16	32	32	170	32	5					